

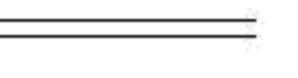



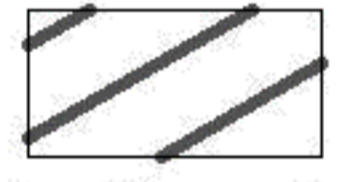




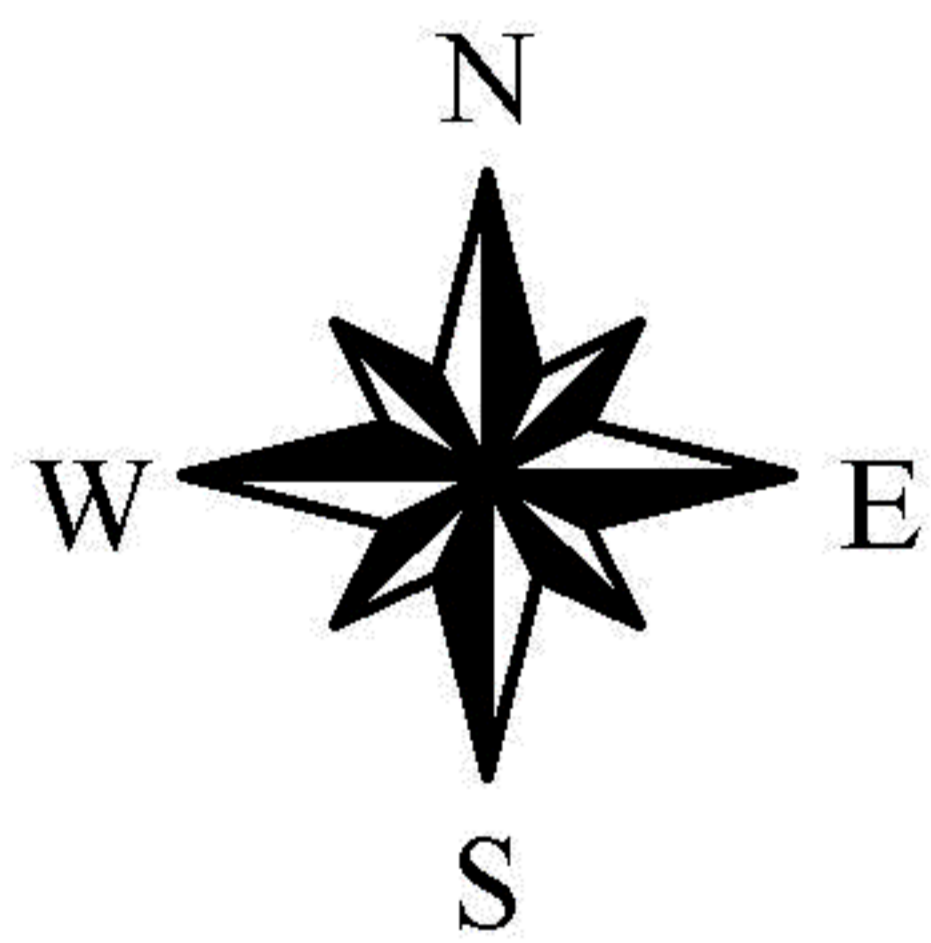
Water Planning Region 6

Legend

-  Major Municipality
-  Water Wells in Region 6
-  Major Roads
-  County Boundary
-  Surface Hydrography
-  Region 6 Boundary

Sub-Region

-  6A
-  6B
-  6C



10 0 10 Miles

